

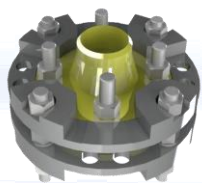


# CONTAINMENT MANAGEMENT SOLUTIONS



We elevate our clients' integrity management **PERFORMANCE**  
By combining cutting-edge containment **TECHNOLOGIES**  
With engineering and operational **KNOW-HOW**

## BoltEx Flange Clamp

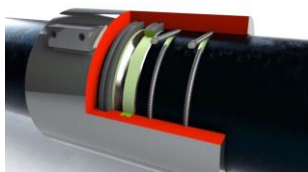


Safe online bolt  
replacement

Flange reinforcement

No damage to flange  
gasket

## SRJ Weld-free Pipe Coupling



Weld-free pipe  
connection

Spool tie-in or  
replacement

Multiple configurations

## Multi-Shell Repair Clamp

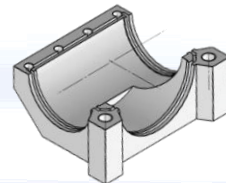


Emergency pipe  
repair

Proactive application

Reusable and  
compact to store

## Bespoke Solutions



Enclosure repair  
units

Fully customised

Elbows, tees, flanges,  
nozzles & valves

## Bespoke Enclosure Repairs

- Capable of sealing live system leaks – no impact on plant operation
- Suitable for a range of pipe sizes and geometries (straights, elbows, tees, etc.)
- Designed in accordance with AS1210 and ASME VIII pressure vessel standards
- Fully custom designs for complex geometry or applications with restricted access

## INDUSTRY CHALLENGES

- Corrosion of piping systems
- Flange and weld failures
- Safety risks
- Costly repair works
- Shutdowns – Penalties
- Loss of containment – Loss of production



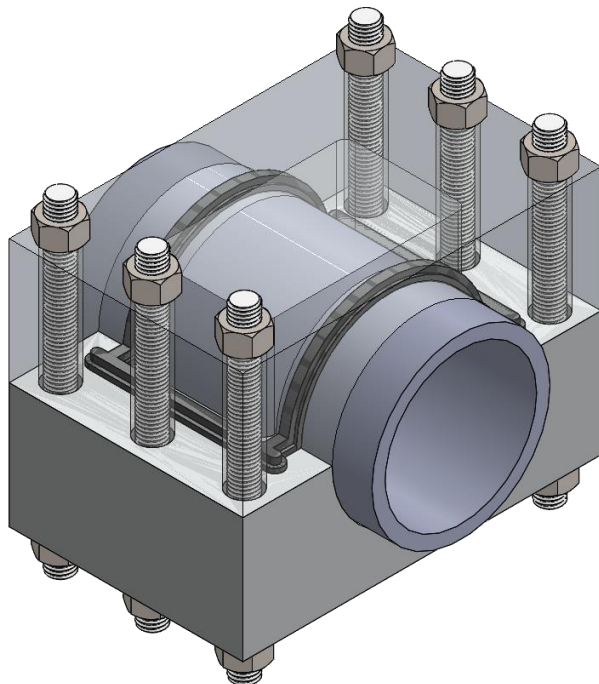
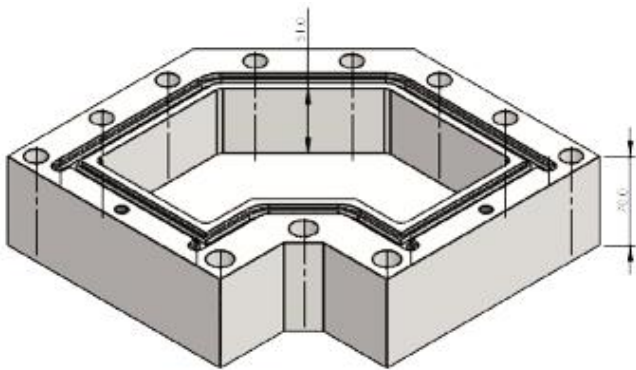
## SRJ Bespoke Enclosure Repairs

### IMMEDIATE INTERVENTION

SRJ bespoke solutions are designed to suit complex shapes and configurations, able to arrest the leak on live systems

### PROACTIVE APPLICATIONS

SRJ Enclosure units can be installed on degraded or failed piping systems to prevent and/or arrest loss of containment



### BENEFITS

#### Smart approach to design

- + Standard designs quickly adjusted to suit
- + Rapid prototyping facility
- + Bespoke designs are supplied and manufactured at short notice

#### Safe to install

- + 1-2 installers
- + No complex tooling required

#### Versatile

- + Fully custom designs can be developed for complex geometry and applications with restricted access
- + Component materials are selected to be compatible with the leaking product and parent pipework

#### Cost effective

- + Able to seal live leaks – no need for plant shutdown
- + Extends asset lifetime, reduces maintenance costs, and safely delays replacement works

### OTHER BESPOKE SOLUTIONS

- + Composite wrap repairs also available in collaboration with SRJ partner suppliers